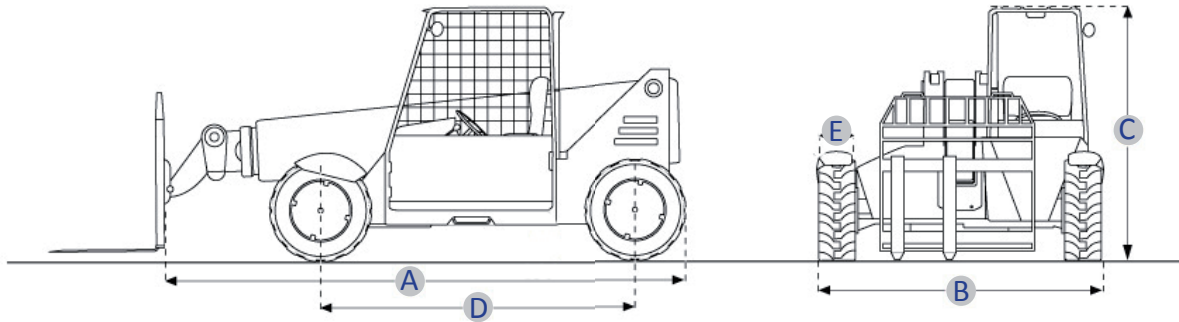


## Product Specifications:

# JCB 541-70

Operating Weight: 7800 kg



### Static Dimensions

A	Overall Length	16.4 ft in	4990 mm
B	Overall Width	7.3 ft in	2230 mm
C	Overall Height	8.2 ft in	2490 mm
D	Wheelbase	9 ft	2750 mm
E	Tire Size	15.5 x 80 R24	

### Engine

Gross Power	145 hp
Emissions Level	EPA Tier 3

### Service Capacities

Fuel	32 gal	146 L
Hydraulic System Fluid	24.6 gal	113 L
Cooling System Fluid	5 gal	23 L

### Operational

Max Speed	24.8 mph	40 km/h
-----------	----------	---------

### Lift Performance

Max Lift Capacity	9038.9 lb	4100 kg
Lift Capacity at full Height	5511.5 lb	2500 kg
Lift Capacity at full Reach	3306.9 lb	1500 kg
Max Lift Height	22 ft in	7000 mm
Max Reach Forward	12.1 ft in	3700 mm

Specifications are for when stabilisers are extended.

For more information contact our team:

**01948 842 120**