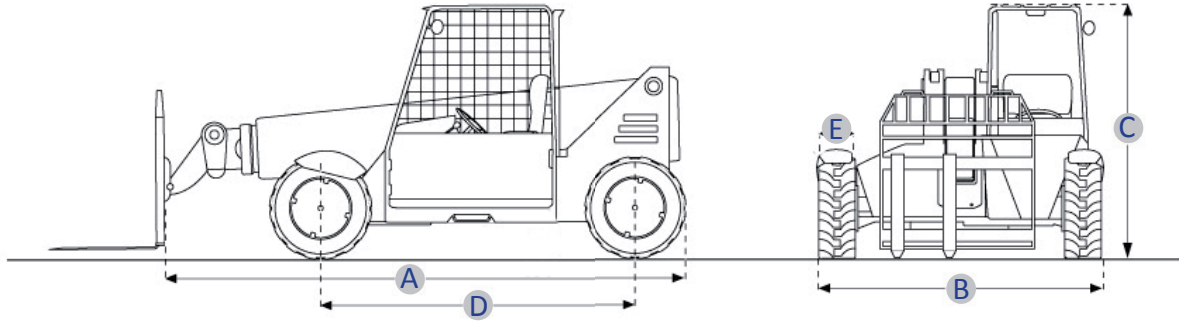


Product Specifications:

JCB 535-95

Operating Weight: 8020 kg



Static Dimensions

A	Overall Length	16.4 ft in	4990 mm
B	Overall Width	7.8 ft in	2360 mm
C	Overall Height	8.2 ft in	2490 mm
D	Wheelbase	9 ft	2750 mm
E	Tire Size	15.5 x 80 R24	

Engine

Gross Power	109 hp
Emissions Level	EPA Tier 3

Service Capacities

Fuel	32 gal	146 L
Hydraulic System Fluid	24.6 gal	113 L
Cooling System Fluid	5 gal	23 L

Operational

Max Speed	20.5 mph	33 km/h
-----------	----------	---------

Lift Performance

Max Lift Capacity	7716.2 lb	3500 kg
Lift Capacity at full Height	3527.6 lb	1600 kg
Lift Capacity at full Reach	1102.4 lb	500 kg
Max Lift Height	22.1 ft in	7000 mm
Max Reach Forward	12.1 ft in	3700 mm

Specifications are for when stabilisers are extended.

For more information contact our team:

01948 842 120