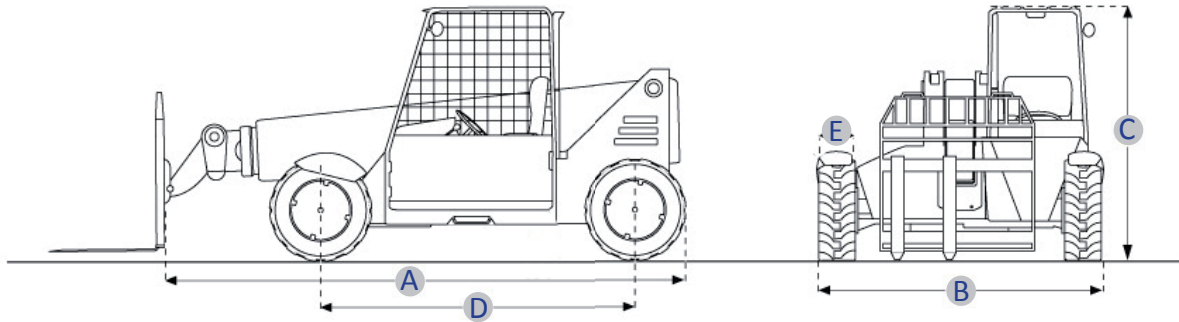


## Product Specifications:

# JCB 524-50

Operating Weight: 5500 kg



### Static Dimensions

A	Overall Length	12.10 ft in	3900 mm
B	Overall Width	6.7 ft in	2000 mm
C	Overall Height	6.11 ft in	2100 mm
D	Wheelbase	7.6 ft in	2300 mm
E	Tire Size	10.5 x 80 18	

### Engine

Gross Power	85 hp
Emissions Level	EPA Tier 3

### Service Capacities

Fuel	16.5 gal	75 L
Hydraulic System Fluid	15.4 gal	70 L
Cooling System Fluid	3.7 gal	14 L

### Operational

Max Speed	17 mph	29 km/h
-----------	--------	---------

### Lift Performance

Lift Capacity at full Height	5291 lb	2400 kg
Lift Capacity at full Reach	2756 lb	1250 kg
Max Lift Height	17.4 ft in	5300 mm
Max Reach Forward	9.6 ft in	2900 mm

Specifications are for when stabilisers are extended.

For more information contact our team:

**01948 842 120**